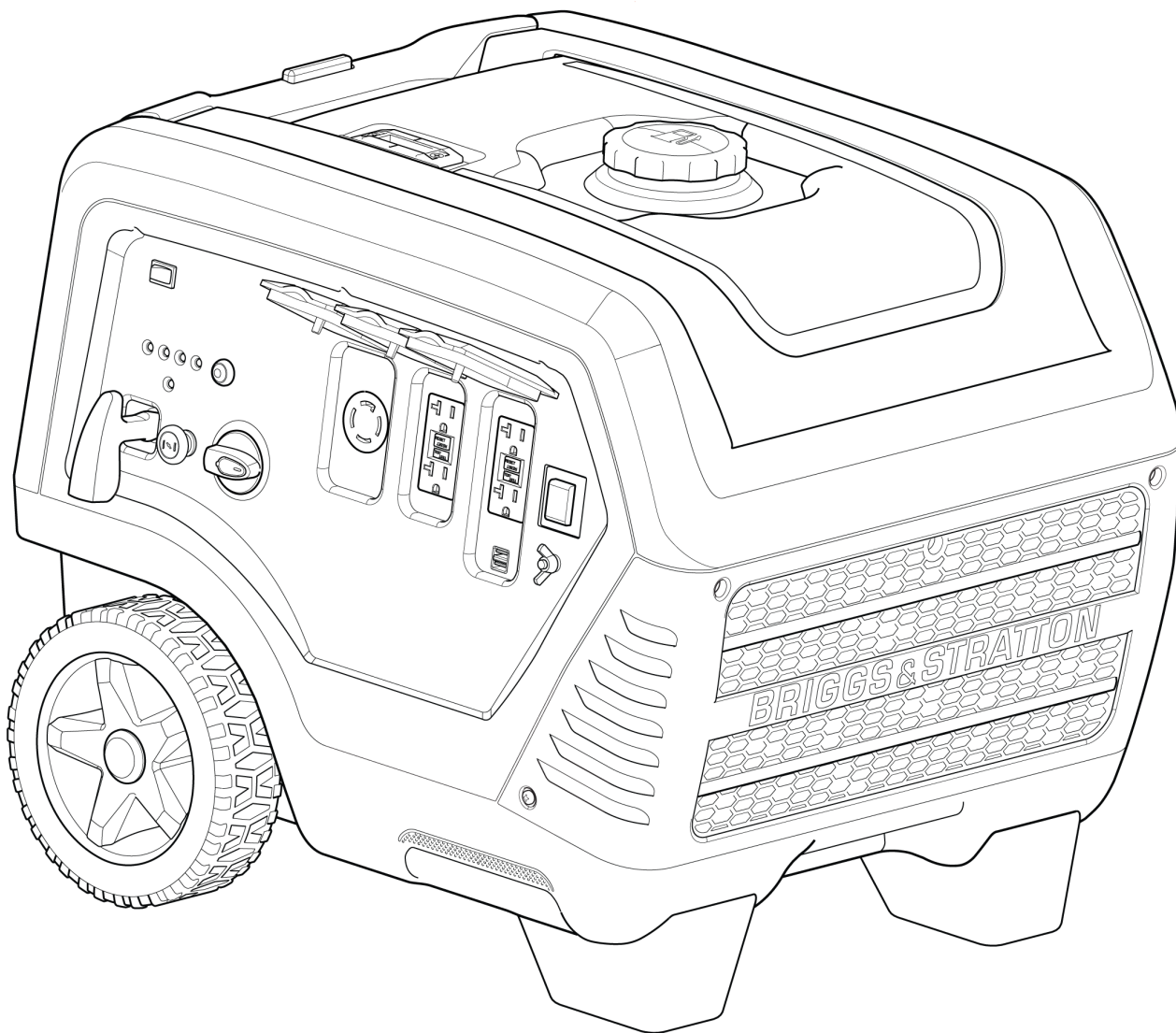




Parts Manual

Mfg. No: 030675-00
6,500 Watt B & S Inverter



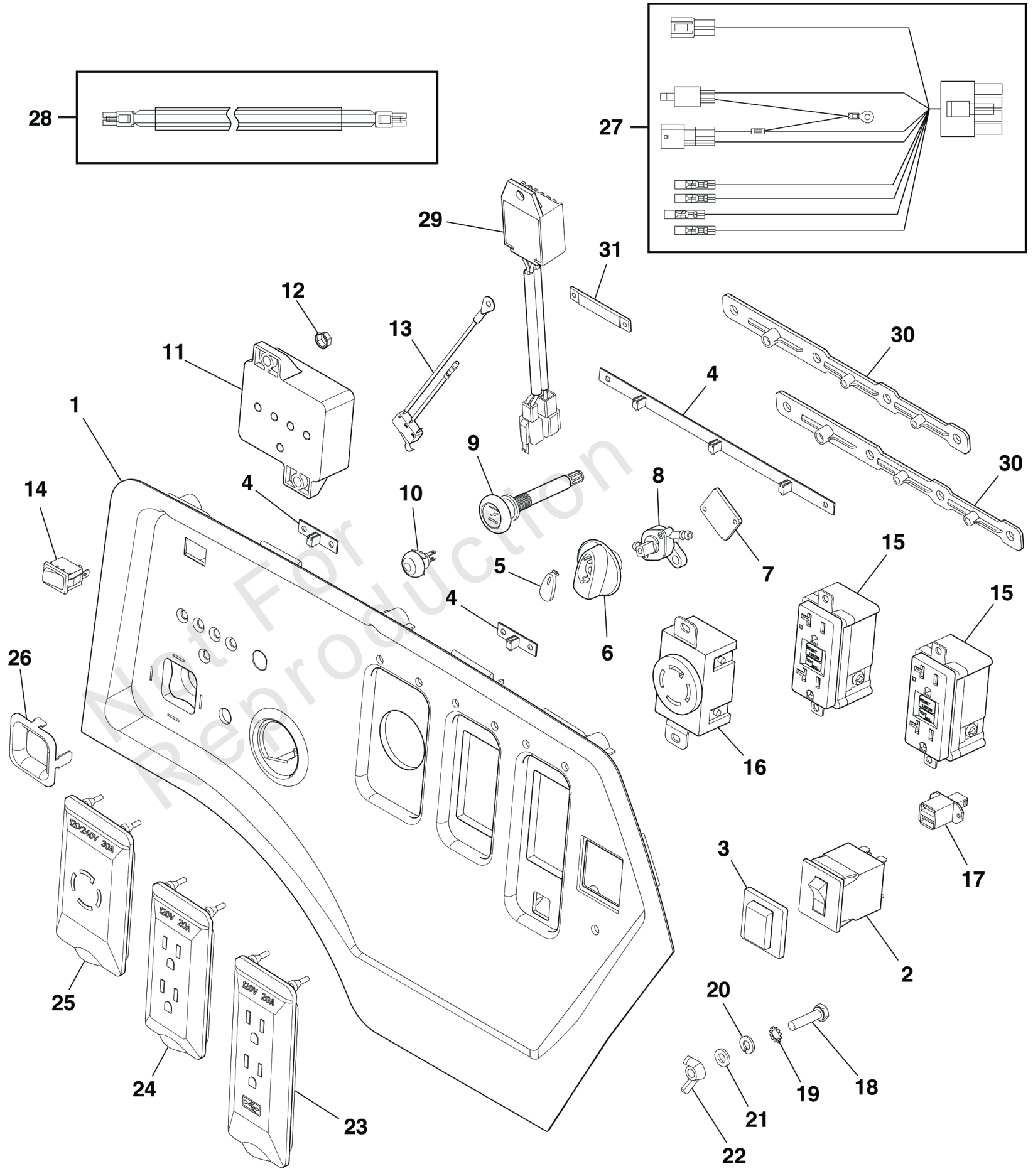
Model Components	Page
Control Panel (80024631).....	4
Main Unit (80024630).....	6
Wiring Diagram (80021014wd).....	10
Wiring Schematic (80021014ws).....	12
Torque Specification Chart.....	14

Not For
Reproduction

Control Panel (80024631)

Note: Unless noted otherwise, use the standard torque specifications

Mfg. No: 030675-00



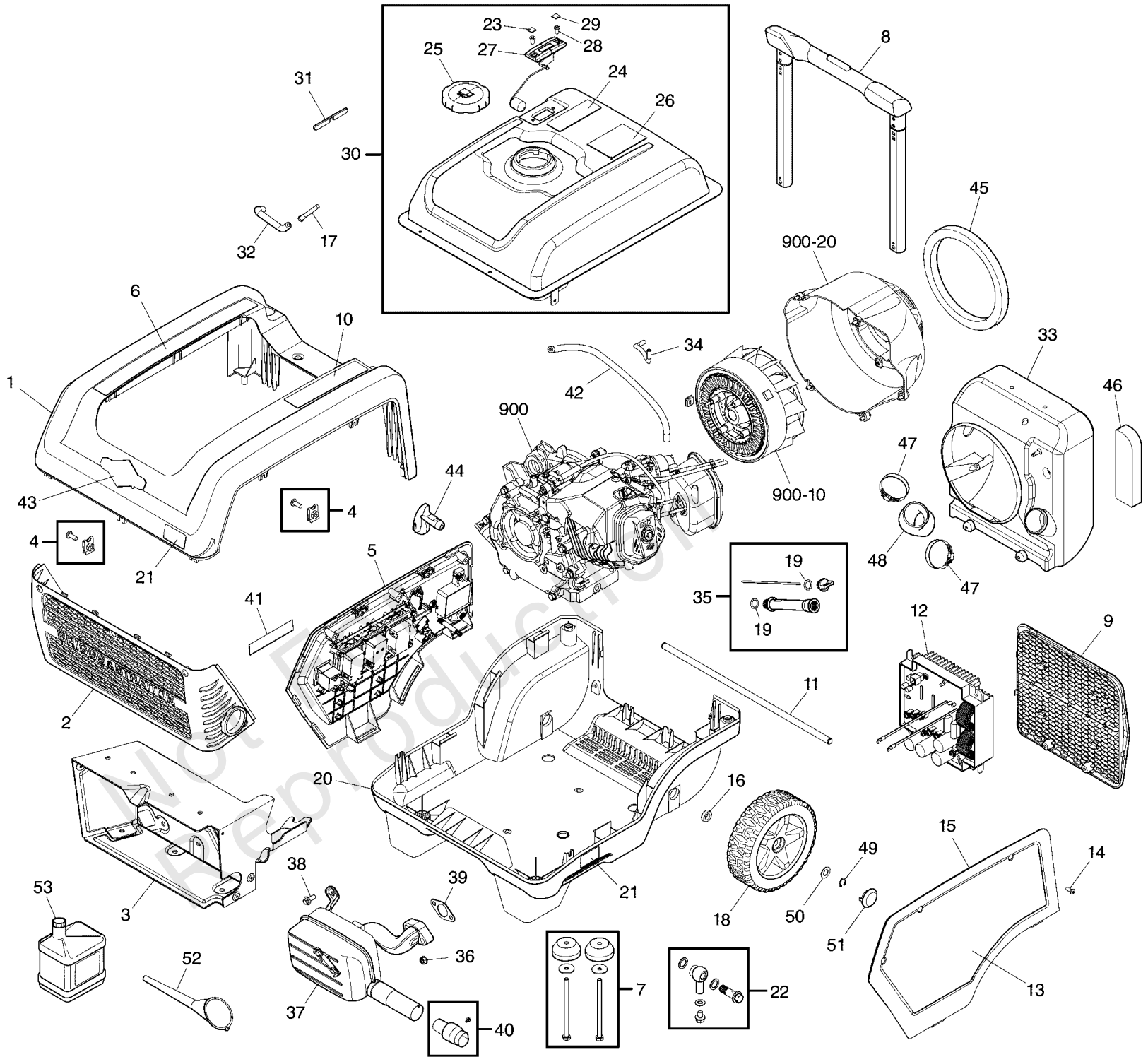
Control Panel (80024631)

REF NO	PART NO	QTY	DESCRIPTION
1	707216	1	PANEL-CONTROL
2	209675GS	1	BREAKER-CIRCUIT
3	191481GS	1	BOOT, Breaker Circuit
4	706437	1	ASSY-LED -(Assembly Includes 5 LED's and Wiring)
5	311377GS	1	COVER
6	707223	1	KNOB
7	706790	1	COVER
8	311384GS	1	VALVE-FUEL
9	707303		CHOKE
10	706558	1	SWITCH-PUSHBUTTON
11	706318	1	MODULE
12	771823	2	PUSHNUT
13	707309	1	SWITCH-MICRO
14	311442GS	1	SWITCH
15	709526	2	OUTLET-GFCI
16	312689GS	1	OUTLET
17	706438	1	PORT-USB
18	189156GS	1	BOLT
19	26850GS	1	WASHER, Ext. M6 - 1/4" Shakeproof
20	70005GS	1	WASHER-LOCK
21	70007GS	1	WASHER-M6
22	87680GS	1	WING NUT
23	706582	1	COVER-OUTLET
24	706822	1	COVER-OUTLET
25	706897	1	COVER-OUTLET
26	707225	1	COVER-ROPE
27	707238	1	WIRE-HARNESS,CPNL
28	707245	1	WIRE-HARNESS, DATA
29	771828	1	RECTIFIER
30	771829	2	PLATE
31	771830	1	BRACKET

Main Unit (80024630)

Note: Unless noted otherwise, use the standard torque specifications

Mfg. No: 030675-00



Main Unit (80024630)

REF NO	PART NO	QTY	DESCRIPTION
1	706104	1	HOUSING-TOP -(Includes Items 6, 10, 21 & 43)
2	706032	1	GRILLE
3	706053	1	HEAT SHIELD
4	705995	1	KIT-NUT
5	-----	0	Non-Service Part -(See Control Panel View)
6	706270	1	DECAL
7	772189	1	MOUNT-VIBRATION
8	706268	1	HANDLE
9	706138	1	GRILL-REAR
10	706052	1	DECAL
11	706282	1	AXLE
12	84003329	1	MODULE-CONTROL
13	706221	1	DECAL
14	772185	1	SCREW
15	706135	1	COVER-SIDE -(Includes Item 13)
16	705994	1	SPACER
17	707462	1	FILTER
18	706319	2	WHEEL -(Includes Item 51)
19	797327	2	SEAL, O-Ring
20	706105	1	HOUSING-BOTTOM
21	706577	1	DECAL
22	707460	1	OIL DRAIN
23	313461GS	1	DECAL
24	709667	1	DECAL
25	319587GS	1	CAP-FUEL
26	202997GS	1	DECAL, Warning, CO
27	705996	1	GAUGE-FUEL
28	314440GS	2	SCREW
29	313462GS	1	DECAL
30	706316	1	TANK FUEL
31	707435	1	SEAL
32	707436	1	HOSE-FUEL
33	706540	1	HOLDER-INVERTER
34	707456	1	HOSE-VAPOR
35	707461	1	ASSY-OIL FILL
36	590965	1	NUT
37	706317	1	MUFFLER
38	707459	1	BOLT
39	797770	1	GASKET, Exhaust
40	790153	1	ARRESTOR, Spark
41	707458	1	DECAL
42	707457	1	HOSE-FUEL
43	707463	1	DECAL
44	707586	1	HANDLE-STARTER
45	707640	1	SEAL-FOAM

Footnotes:

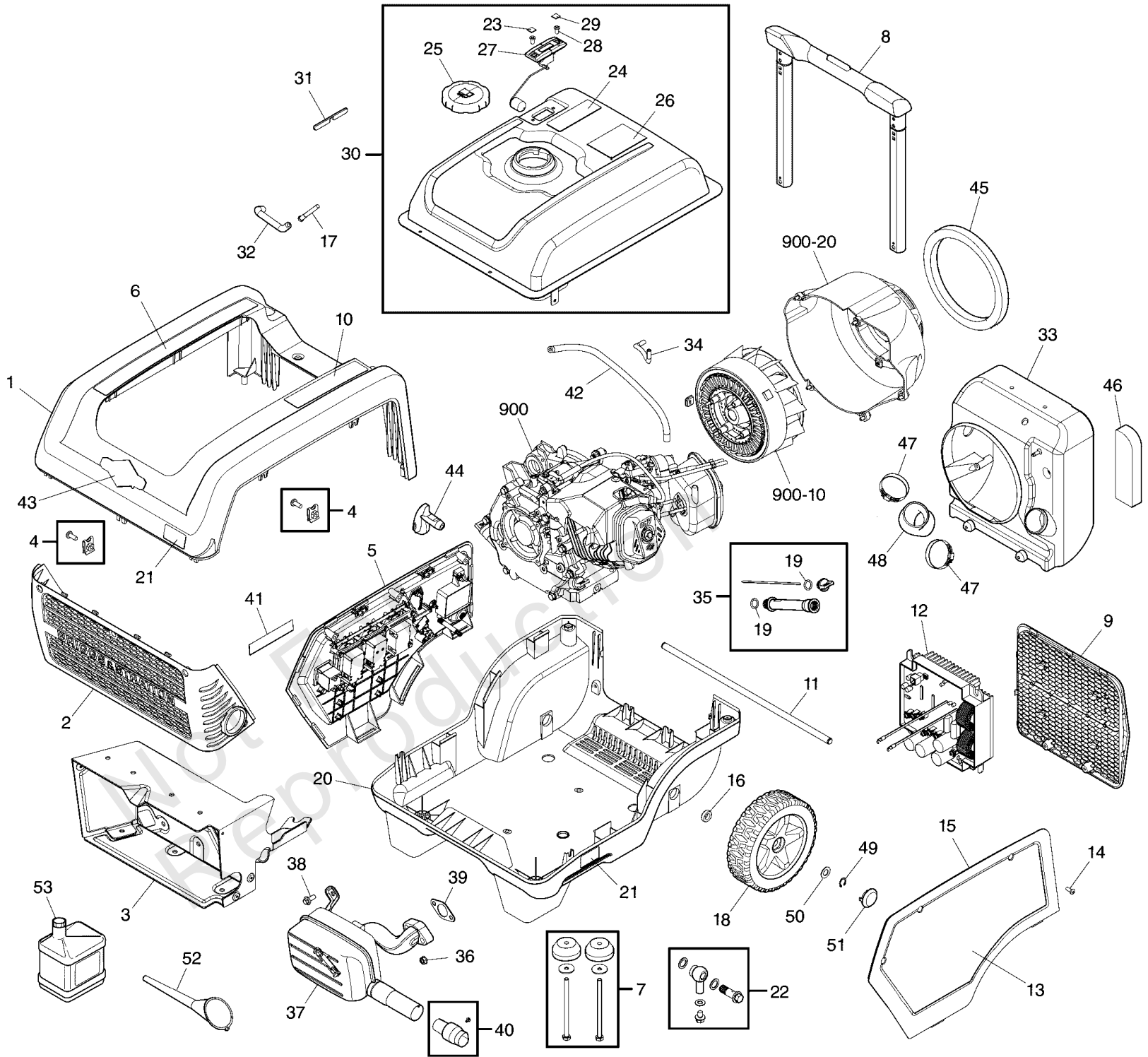
(Note: Not Serviced Separately.)

(Note: To verify your specific engine model, please reference the ID Tag located on your engine.) (Refer to your local Briggs & Stratton distributor for parts and service.)

Main Unit (80024630)

Note: Unless noted otherwise, use the standard torque specifications

Mfg. No: 030675-00



Main Unit (80024630)

REF NO	PART NO	QTY	DESCRIPTION
46	596106	1	AIR FILTER
47	771591	1	CLAMP
48	596700	1	TUBE-AIR INTAKE
49	771593	2	E-RING
50	771592	2	WASHER
51	771637	2	HUBCAP
52	707650	1	FUNNEL
53	100005	1	OIL-4 CYCLE 30W 18OZ.
900	19N236-0001-G1	1	** ENGINE -(*Includes items 900, 900-10 and 900-20) (Refer to ENGINE Documentation for Alternator Service Information.)
900-10	-----	0	**ALTERNATOR - (Refer to ENGINE Documentation for Alternator Service Information.)
900-20	-----	0	**COVER - (Refer to ENGINE Documentation for Alternator Service Information.)

Not For
Reproduction

Footnotes:

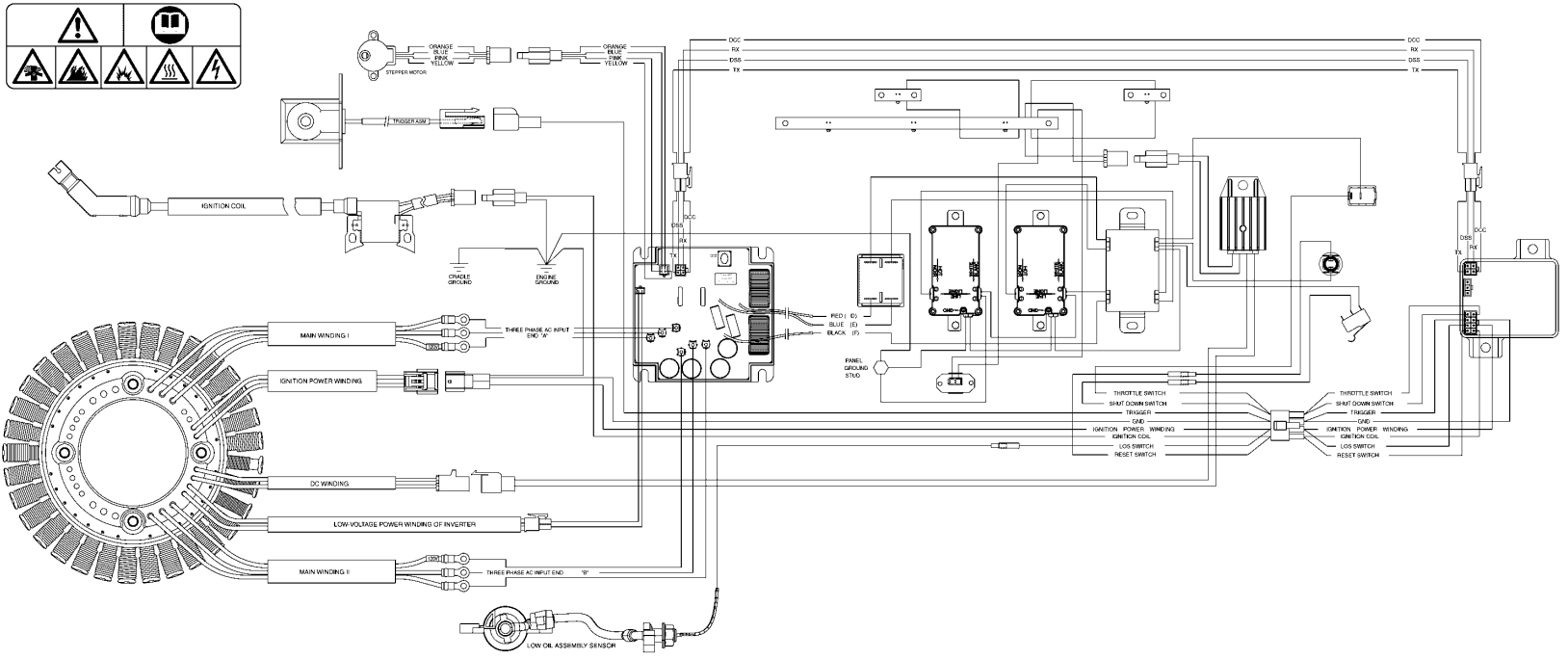
(Note: Not Serviced Separately.)

(Note: To verify your specific engine model, please reference the ID Tag located on your engine.) (Refer to your local Briggs & Stratton distributor for parts and service.)

Wiring Diagram (80021014wd)

Note: Unless noted otherwise, use the standard torque specifications

Mfg. No: 030675-00



Not For
Reproduction

Wiring Diagram (80021014wd)

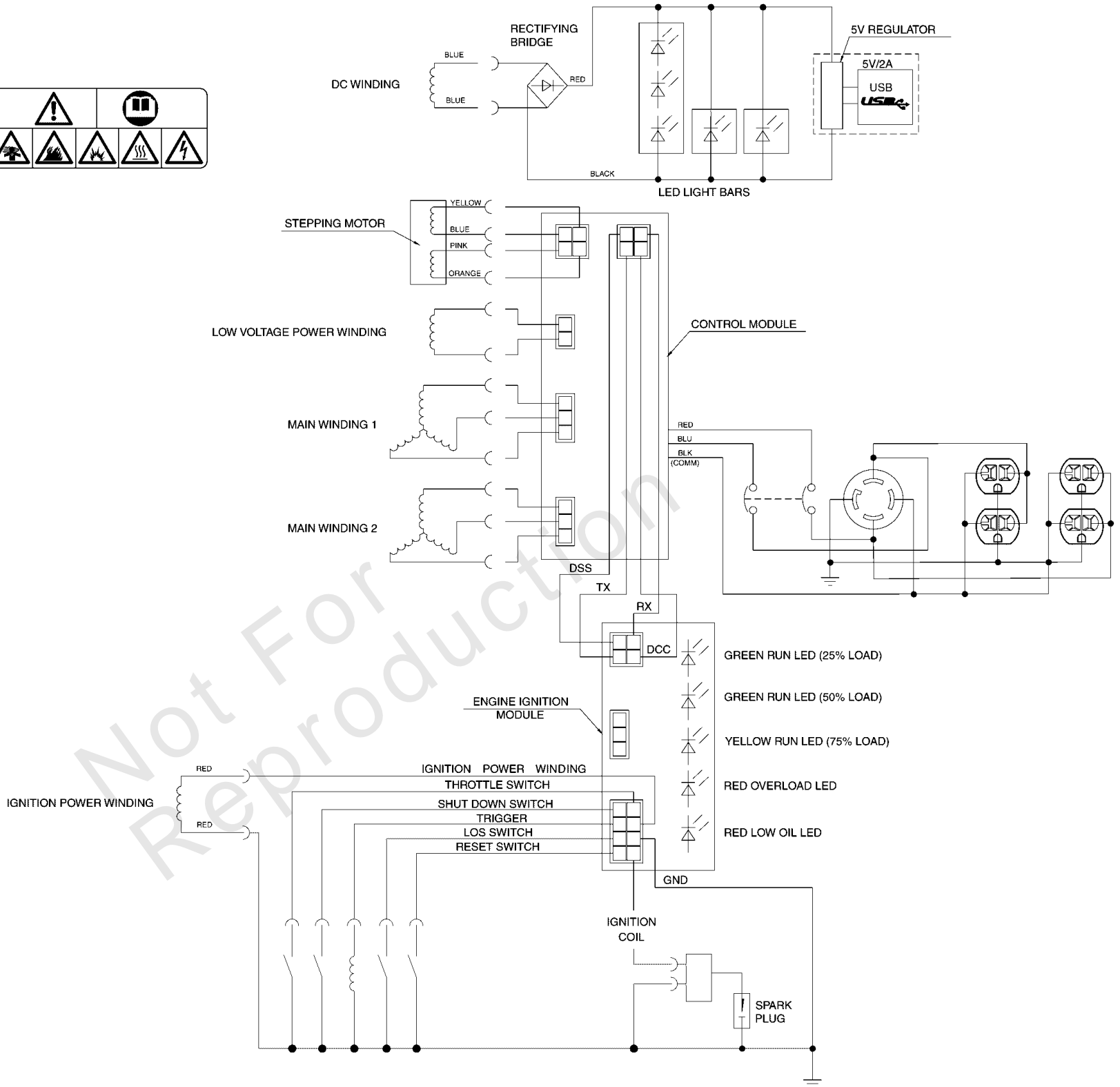
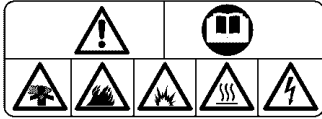
REF NO	PART NO	QTY	DESCRIPTION
--	-----		Wiring Diagram Only
--	-----		WARNING - Generator Voltage Could Cause Electrical Shock or Burn Resulting in Death Or Serious Injury. To Avoid Electrical Shock Or Burn Hazard, Please Refer Service To Qualified Personnel.

Not For Reproduction

Wiring Schematic (80021014ws)

Note: Unless noted otherwise, use the standard torque specifications

Mfg. No: 030675-00



Wiring Schematic (80021014ws)

REF NO	PART NO	QTY	DESCRIPTION
--	-----		Wiring Schematic Only
--	-----		WARNING - Generator Voltage Could Cause Electrical Shock or Burn Resulting in Death Or Serious Injury. To Avoid Electrical Shock Or Burn Hazard, Please Refer Service To Qualified Personnel.

Not For Reproduction

Hardware Identification & Torque Specifications

Torque Specification Chart								
FOR STANDARD METRIC MACHINE HARDWARE (Tolerance ± 20%)								
Property Class	5.6		8.8		10.9		12.9	
	Class 5.6		Class 8.8		Class 10.9		Class 12.9	
Size Of Hardware	in/lbs	Nm.	in/lbs	Nm.	in/lbs	Nm.	in/lbs	Nm.
	ft/lbs		ft/lbs		ft/lbs		ft/lbs	
M3	5.88	.56	13.44	1.28	19.2	1.80	22.92	2.15
M4	13.44	1.28	30.72	2.90	43.44	4.10	52.56	4.95
M5	26.4	2.50	60.96	5.75	5.97	8.10	7.15	9.7
M6	44.64	4.3	7.3	9.9	10.3	14	12.1	16.5
M7	5.2	7.1	12.1	16.5	16.9	23	19.9	27
M8	7.7	10.5	17.7	24	25	34	29	40
M10	15	21	35	48	50	67	59	81
M12	26	36	61	83	86.2	117	103	140
M14	42	58	101	132	136	185	162	220
M16	64	88	147	200	210	285	250	340
M18	89	121	202	275	287	390	346	470
M20	126	171	290	390	405	550	486	660
M22	169	230	390	530	559	745	656	890
M24	217	295	497	375	708	960	840	1140
M27	320	435	733	995	1032	1400	1239	1680
M30	435	590	995	1350	1401	1900	1681	2280
M33	590	800	1349	1830	1902	2580	2278	3090
M36	759	1030	1740	2360	2441	3310	2935	3980
M39	988	1340	2249	3050	3163	4290	3798	5150

Torque Specification Chart						
FOR STANDARD MACHINE HARDWARE (Tolerance ± 20%)						
Hardware Grade	No Marks		SAE Grade 5		SAE Grade 8	
	SAE Grade 2		SAE Grade 5		SAE Grade 8	
Size Of Hardware	in/lbs	Nm.	in/lbs	Nm.	in/lbs	Nm.
	ft/lbs		ft/lbs		ft/lbs	
8-32	19	2.1	30	3.4	41	4.6
8-36	20	2.3	31	3.5	43	4.9
10-24	27	3.1	43	4.9	60	6.8
10-32	31	3.5	49	5.5	68	7.7
1/4-20	66	7.6	8	10.9	12	16.3
1/4-28	76	8.6	10	13.6	14	19.0
5/16-18	11	15.0	17	23.1	25	34.0
5/16-24	12	16.3	19	25.8	29	34.0
3/8-16	20	27.2	30	40.8	45	61.2
3/8-24	23	31.3	35	47.6	50	68.0
7/16-14	30	40.8	50	68.0	70	95.2
7/16-20	35	47.6	55	74.8	80	108.8
1/2-13	50	68.0	75	102.0	110	149.6
1/2-20	55	74.8	90	122.4	120	163.2
9/16-12	65	88.4	110	149.6	150	204.0
9/16-18	75	102.0	120	163.2	170	231.2
5/8-11	90	122.4	150	204.0	220	299.2
5/8-18	100	136	180	244.8	240	326.4
3/4-10	160	217.6	260	353.6	386	525.0
3/4-16	180	244.8	300	408.0	420	571.2
7/8-9	140	190.4	400	544.0	600	816.0
7/8-14	155	210.8	440	598.4	660	897.6
1-8	220	299.2	580	788.8	900	1,244.0
1-12	240	326.4	640	870.4	1,000	1,360.0

The guides and ruler furnished below are designed to help you select the appropriate hardware.

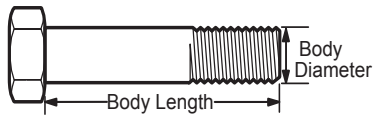


Nut, M8

Thread Diameter (mm)

Inside Diameter (in) Threads per inch

Nut, 1/2-16

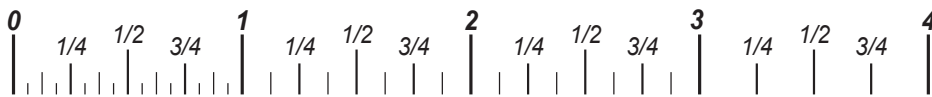


Screw, M8- 1.25 x 25

Thread Diameter (mm) Distance between threads (mm) Body Length (mm)

Body Diameter Threads per inch Body Length (in)

Screw, 1/2- 16 x 2



Standard Hardware Sizing

When a washer or nut is identified as 1/2" (M8), this is the *Nominal size*, meaning the *inside diameter* is 1/2 inch (8mm metric thread diameter); if a second number is present it represents the *threads per inch* (distance between threads).

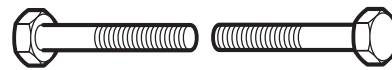
When bolt or capscrew is identified as 1/2 - 16 x 2" (M8 - 1.25 x 50), this means the *Nominal size*, or body diameter is 1/2 inch (8mm metric thread diameter), the second number, 16, represents the *threads per inch*, (*distance between threads*). The final number is the body length of the bolt or screw, 2 inches (50mm).

NOTES

- These torque values are to be used for all hardware excluding: locknuts, self-tapping screws, thread forming screws, sheet metal screws and socket head setscrews.
- Recommended seating torque values for locknuts:
 - for prevailing torque locknuts - use 65% of grade 5 torques.
 - for flange whizlock nuts and screws - use 135% of grade 5 torques.
- Unless otherwise noted on assembly drawings, all torque values must meet this specification.

Common Hardware Types

Hex Head Capscrew



Washer



Carriage Bolt



Hex Nut

Wrench & Fastener Size Guide

1/4" Bolt or Nut Wrench—7/16"	5/16" Bolt or Nut Wrench—1/2"	3/8" Bolt or Nut Wrench—9/16"	7/16" Bolt or Nut Wrench (Bolt)—5/8" Wrench (Nut)—11/16"	1/2" Bolt or Nut Wrench—3/4"
M6 Bolt or Nut Wrench—10mm	M8 Bolt or Nut Wrench—13mm	M10 Bolt or Nut Wrench—17mm	M12 Bolt or Nut Wrench—19mm	M14 Bolt or Nut Wrench—22mm

